

MIPRO[®]
MICROPHONE PROFESSIONALS

MIPRO Electronics Co., Ltd

Headquarters : 814 Pei-Kang Road, Chiayi, 60096, Taiwan
Tel : +886.5.238.0809 Fax : +886.5.238.0803
www.mipro.com.tw mipro@mipro.com.tw

All rights reserved. MN 015/11

Do not copy or forward without prior approvals MIPRO.

Specifications and design subject to change without notice.



2 CE545A

MIPRO[®]

ACT-80R

Digital Wireless ENG Receiver

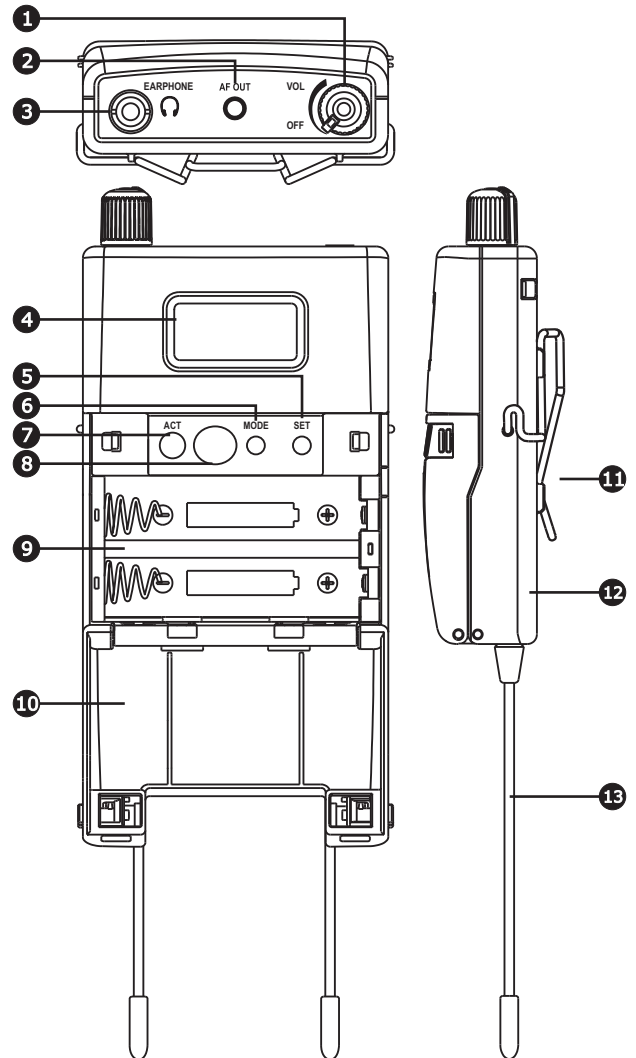
User Guide



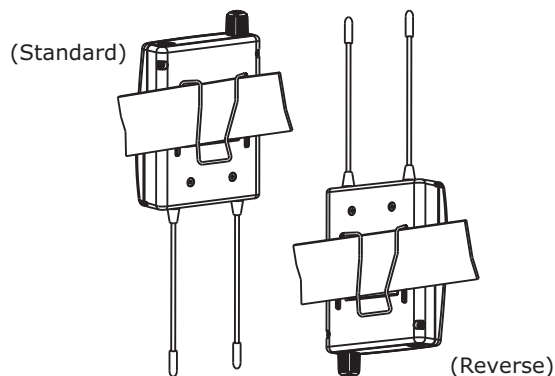
Contents

- 1 Operating Controls and Indicators
- 3 Operating Instructions
- 6 LCD Screen Display
- 6 Menu Navigation
- 12 Installation

Operating Controls and Indicators



- ❶ **Power Switch and Volume Control:** Turns the bodypack on and off and adjusts earphone volume.
- ❷ **AF OUT**
- ❸ **3.5mm Stereo Earphone Jack:** Insertion stereo earphones here.
- ❹ **LCD Screen:** Displays current settings and menus.
- ❺ **SET Button:** Parameter selection button.
- ❻ **MODE button:** To select function for setup.
- ❼ **ACT Button:** Facilitates frequency & encryption synchronization (sync) between receiver and transmitter.
- ❽ **ACT Sync Window:** For automatic frequency synchronization from transmitter.
- ❾ **Battery Compartment:** Requires 2 AA batteries.
- ❿ **Battery Compartment Door:** Open by pressing the latches on both sides and pulling.
- ⓫ **Belt Clip:** Securely attaches to belts.
- ⓬ **Housing:** protects internal PCB.
- ⓭ **A/B Antenna:** Dual soft antennas.



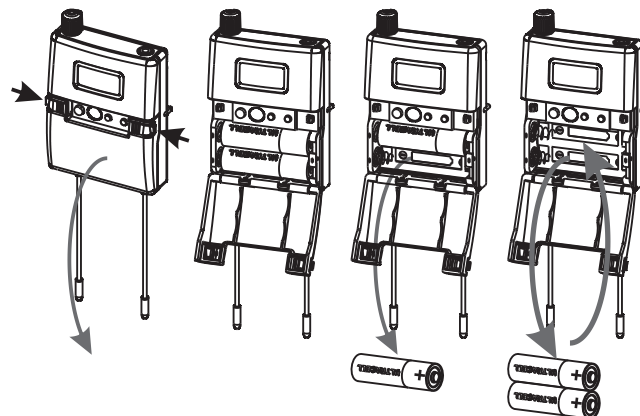
Operating Instructions

1. Battery Requirement

ACT-80R requires 2 AA alkaline batteries or higher capacity AA NiMH Rechargeable battery. Stand-by hours for alkaline batteries are over 6 hours. Unit automatically shuts down and turns off with a display warning "OFF" when low voltage reaches approximately 1.8V to protect batteries from leakage or damage.

2. Battery Insertion

- a. Open by pressing the latches on both sides and pulling.
- b. Insert the batteries according to its correct polarity.



Note:

Remove the batteries when is not used for a long time and to prevent damaging to the electronics due to battery leak.

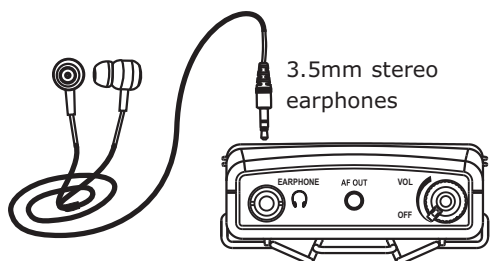
Digital Wireless ENG Receiver

3. Earphones Insertion

Insert any 3.5mm stereo earphones here or connect to the audio input of other audio equipment.

Note:

Insert stereo earphones only to prevent possible short-circuiting.



Warning: Avoiding Hearing Damage –

Permanent noise-induced hearing loss may occur on prolonged exposure to loud sounds wearing earphones or headphones.

We recommend you listen responsibly by limiting the amount of time that you use earphones or headphones at high volume.



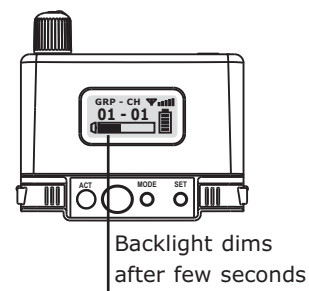
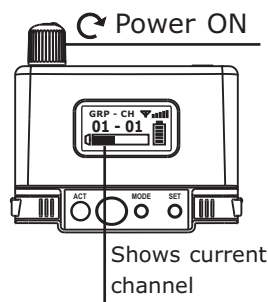
To prevent possible hearing damage, do not listen at high volume levels for long periods.

Digital Wireless ENG Receiver

4. Power & Volume Control

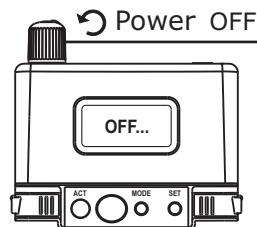
- Turn the unit on. The backlight will dim automatically after few seconds to save power.
- Adjust for desired earphone volume after is powered on. Warning display OFF appears briefly after the unit is turned off.

Power ON:

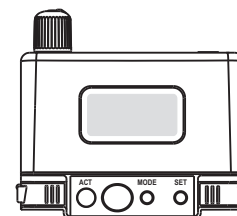


Power OFF:

Warning display OFF



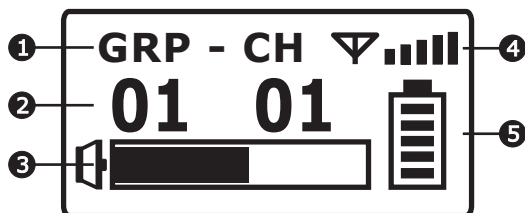
Completely OFF



Note:

Unit will not power on with weak battery power or incorrect polarity battery insertion.

LCD Screen Display



- ❶ LCD Screen
- ❷ Parameters Screen
- ❸ Audio Indicator
- ❹ Antenna Signal Indicator
- ❺ Transmitter Battery Meter

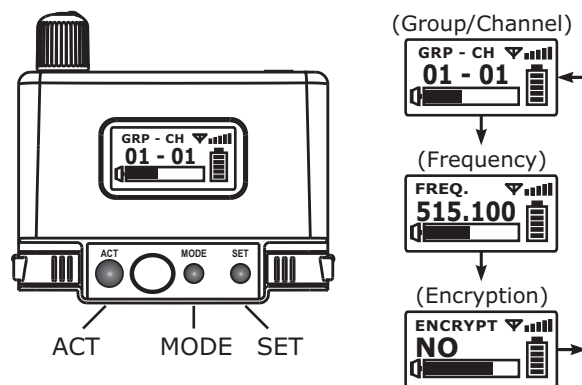
Menu Navigation

1. MODE Setting: 3 mode settings

- a. Press "MODE" button to select one of the 3 selections.
- b. Backlight dims in few seconds in each mode.

2. SET button: Use to change parameters

Press "SET" button and LCD will start flashing. During flashing, press SET button to change parameters.



3. GRP-CH: GROUP and CHANNEL

"GROUP" Set-up Instructions

- a. Press MODE button to activate setup mode.
- b. Press SET button when GRP-CH mode is located.
- c. Press SET button again to increase or decrease group number during number flashing.
- d. Press the MODE button to save the change.



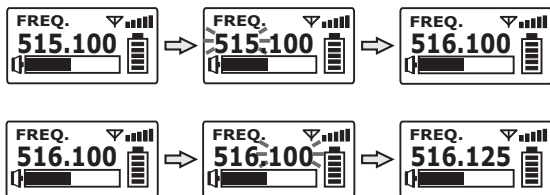
"CHANNEL" Set-up Instructions

- a. CHANNEL number flashes automatically after GROUP is saved by pressing the MODE button.
- b. Press SET button again to increase or decrease channel number during number flashing.
- c. Press the MODE button to save the change.



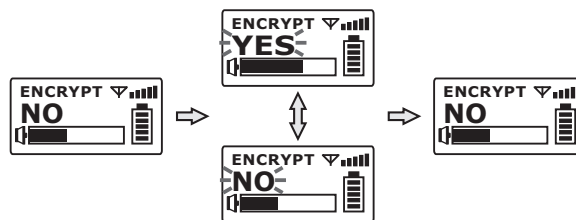
4. **FREQ.** (FREQUENCY): Set-up Instructions

- Press MODE button to activate setup mode.
- Press SET button when FREQ. mode is located.
- Press SET button again to increase or decrease MHz frequency number during number flashing. Adjustable in increments of 1MHz.
- Press the MODE button to save the change.
- Press SET button again to increase or decrease kHz frequency number during number flashing. Adjustable in increments of 25kHz.
- Press the MODE button to save the change.



5. **ENCRYPT MODE:** Set-up Instructions

- Press MODE button to activate setup mode.
- Press SET button when ENCRYPT mode is located.
- Press SET button again to select between **YES** (receiver to be encrypted) or **NO** (receiver is not currently encrypted) during flashing.
- Press the MODE button to save the change.
- Must perform an ACT sync procedure immediately after change is saved. If sync procedure is skipped and not performed, audio will not function properly despite with the same compatible group & channel between the receiver and transmitter.



Note:

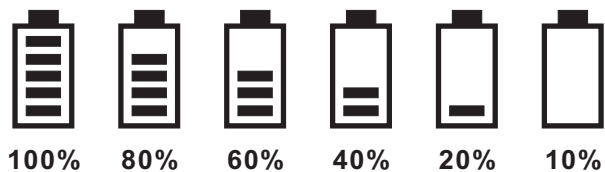
- YES denotes the receiver is now encrypted.
- NO denotes the receiver is not yet encrypted.
- Encryption is factory set by default to "NO" in the receiver (encryption is off).
- The transmitter can only display encryption status and cannot activate/de-activate encryption.
- The 256-bit encryption key is randomly generated; hence, a new, secure, encryption key must be synced from the saved receiver to a transmitter each time.

Note:

- f. This means the last encrypted transmitter will work only with the previous encrypted receiver. It also means that previously encrypted transmitters will not work with the new generated encrypted receiver even though they are on the same frequency as there will be no audio output. This method also ensures that another similar receiver cannot listen in to the encrypted transmitter.

6. Battery Indicator

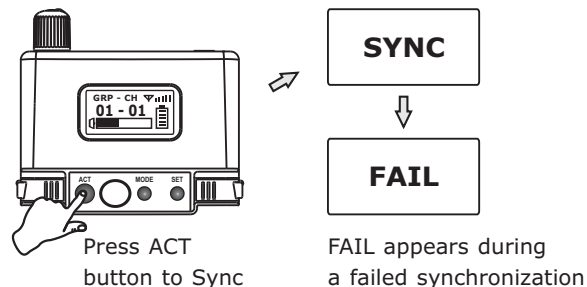
Replace and install fresh/new batteries when battery indicator shows one bar (20%) or zero (10%) remaining. Unit automatically shuts down and turns off during very low voltage to protect batteries from leakage or damage.



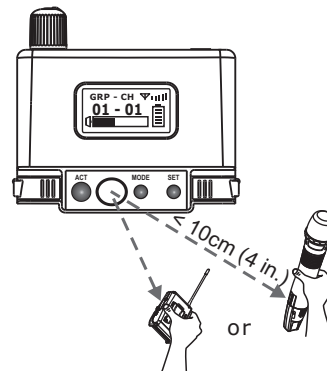
7. Error Codes

ERROR1→RF frequency lock circuit fault.

8. ACT Synchronization: Set-up Instructions



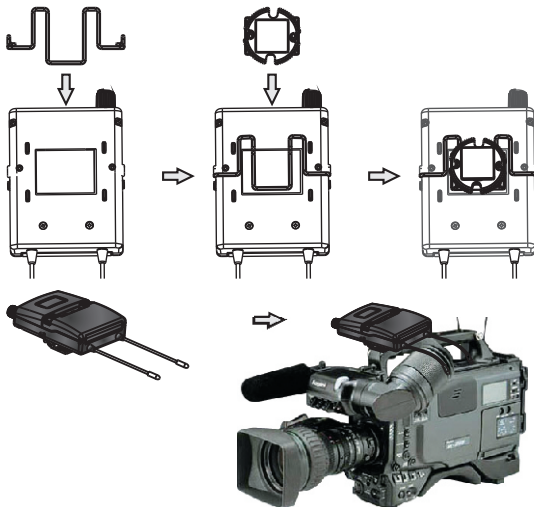
- a. On the LCD display, briefly press "ACT" button. "ACT" flashes on the display.
- b. Place the transmitter within 10cm of the receiver, and position the ACT signal indicator of the transmitter toward the "ACT" button on the receiver panel. See below.
- c. The ACT function will be deactivated automatically once the microphone frequency is locked on and the LCD display on the receiver module returns to the standard display. If "ACT" is flashing on the display, The function was not successful and will have to be repeated.



Note

1. Using AA alkaline or higher performance batteries are recommended.
2. Avoid using the same frequency bands when MIPRO IEM and wireless microphone systems are utilized at the same installation.
3. Using different impedance earphones, different battery types, high monitoring volume, cold/high temperature and higher gain settings may cause the receiver battery life to be different than specified. Earphones with sensitivity over 110dB/mW are recommended.
4. Refer to actual product in the event of product description discrepancy.
5. Frequency range and maximum deviation comply with the regulations of different countries.

Installation



Federal Communication Commission Interference Statement

This equipment has been tested and found to comply with the limits for a Class B digital device, pursuant to Part 15 of the FCC Rules. These limits are designed to provide reasonable protection against harmful interference in a residential installation. This equipment generates, uses and can radiate radio frequency energy and, if not installed and used in accordance with the instructions, may cause harmful interference to radio communications. However, there is no guarantee that interference will not occur in a particular installation. If this equipment does cause harmful interference to radio or television reception, which can be determined by turning the equipment off and on, the user is encouraged to try to correct the interference by one of the following measures:

- Reorient or relocate the receiving antenna.
- Increase the separation between the equipment and receiver.
- Connect the equipment into an outlet on a circuit different from that to which the receiver is connected.
- Consult the dealer or an experienced radio/TV technician for help.

FCC Caution: To assure continued compliance, any changes or modifications not expressly approved by the party responsible for compliance could void the user's authority to operate this equipment. (Example - use only shielded interface cables when connecting to computer or peripheral devices).

FCC Radiation Exposure Statement

This equipment complies with FCC RF radiation exposure limits set forth for an uncontrolled environment. This equipment should be installed and operated with a minimum distance of 0.5 cm between the radiator and your body.

This transmitter must not be co-located or operating in conjunction with any other antenna or transmitter.

The antennas used for this transmitter must be installed to provide a separation distance of at least 0.5 cm from all persons and must not be co-located or operating in conjunction with any other antenna or transmitter.

This device complies with Part 15 of the FCC Rules. Operation is subject to the following two conditions: (1) This device may not cause harmful interference, and (2) This device must accept any interference received, including interference that may cause undesired operation.

WARNING

1. FOR OUTDOOR USE:

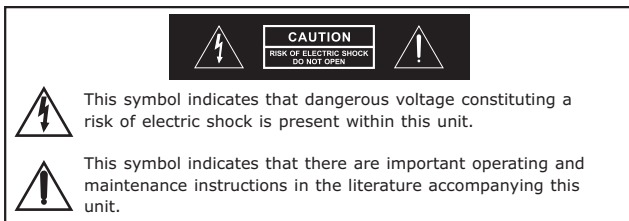
To reduce the risk of fire or electric shock, do not expose this apparatus to rain or moisture.

2. UNDER WET LOCATION:

Apparatus should not be exposed to dripping or splashing and no objects filled with liquids, such as vases should be placed on the apparatus.

3. SERVICE INSTRUCTIONS:

CAUTION - These servicing instructions are for use by qualified service personnel only. To reduce the risk of electric shock, do not perform any servicing other than that contained in the operating instructions unless you are qualified to do so.



IC

This device complies with Industry Canada licence-exempt RSS-123 ISSUE 2 / RSS-310 ISSUE 3 standards. Operation is subject to the following two conditions:

- (1) this device may not cause interference, and
- (2) this device must accept any interference, including interference that may cause undesired operation of the device.

Le présent appareil est conforme aux CNR d'Industrie Canada applicables aux appareils radio exempts de licence. L'exploitation est autorisée aux deux conditions suivantes :

- (1) l'appareil ne doit pas produire de brouillage, et
- (2) l'utilisateur de l'appareil doit accepter tout brouillage radioélectrique subi, même si le brouillage est susceptible d'en compromettre le fonctionnement.

Disposal

Dispose of any unusable devices or batteries responsibly and in accordance with any applicable regulations.



2002-08-13

Disposing of used batteries with domestic waste is to be avoided!

Batteries / NiCad cells often contain heavy metals such as cadmium(Cd), mercury(Hg) and lead(Pb) that makes them unsuitable for disposal with domestic waste. You may return spent batteries/ accumulators free of charge to recycling centres or anywhere else batteries/accumulators are sold.

By doing so, you contribute to the conservation of our environment!

! IMPORTANT SAFETY INSTRUCTIONS !

1. Read these instructions.
2. Keep these instructions.
3. Heed all warnings.
4. Follow all instructions.
5. Do not use this apparatus near water.
6. Clean only with a dry cloth.
7. Do not block any ventilation openings. Install in accordance with the manufacturer's instructions.
8. Do not install near any heat sources such as radiators, heat registers, stoves, or other apparatus (including amplifiers) that produce heat.
9. Do not defeat the safety purpose of the polarised or ground plug: A polarised plug has two blades with one wider than the other. The wide blade is provided for your safety. When the provided plug does not fit into your outlet, consult an electrician for replacement of the obsolete outlet.
10. Protect the power cord from being walked on or pinched particularly at plug, convenience receptacles, and the point where they exit from the apparatus.
11. Only use attachments/accessories specified by the manufacturer.
12. Use only with a cart, stand, tripod, bracket, or table specified by the manufacturer, or sold with the apparatus. When a cart is used, use caution when Moving the cart/apparatus combination to avoid injury from tip-over.
13. Unplug this apparatus during lightning storms or when unused for long periods of time.
14. Refer all servicing to qualified service personnel. Servicing is required when the apparatus has been damaged in any way, such as power-supply cord or plug is damaged, liquid has been spilled or objects have fallen into the apparatus, the apparatus has been exposed to rain or moisture, does not operate normally, or has been dropped.
15. To reduce the risk of fire or electric shock, do not expose this apparatus to rain or moisture.
16. Apparatus should not be exposed to dripping or splashing and no objects filled with liquids, should be placed on the apparatus.
17. Use only with the battery which specified by manufacturer.
18. The power supply cord set is to be the main disconnected device.

